



**2180 • 2210 • 2410**  
**Stationary Mount Loaders**



***Built Better Than It Needs To Be***

Prentice has a full line of stationary mount loaders for a wide range of mill yard applications. Three size models are available with onboard or remote power. Prentice stationary mount loaders are completely pre-wired, tested and ready for on-site electric hookup, including installation kits with the required fasteners for mounting to steel or concrete pedestals. And with the Prentice patented Resilient Pad Mounting system, your workday will be productive and comfortable.



#### **Heavy-Duty Booms**

Heavy-duty boom options range in length from 25' to 36' for handling short wood as well as tree length.

#### **Pad Mounting System**

The Resilient Pad Mounting System includes a set of special rubber isolators on each mounting fastener that absorbs stress in two directions. An additional hydraulic accumulator is built into the main boom cylinder circuit to further absorb peak-load shocks.

#### **Ergonomically Designed Controls**

On standard loaders with operator's cab, the hydraulic pilot joystick controls and rocker swing pedal are ergonomically designed for ease of operation and maximum loader control required for the high cycles associated with mill yard applications.



### **Weatherproof Service Panels**

Weatherproof electric service panels include starters, controls, transformers, circuit breakers and fuse blocks.



### **Remote Control Operation**

Loaders with remote controls and/or skid mounted power supply are designed with electric EHC joysticks with proportional controllers that enable the loader to be operated from a remote location. Specially designed and tested multi-conductor cables in lengths from 60' to 250' ensure reliable signal continuity.

### **Enclosed Power Systems**

Electric motors range in horsepower from 60 to 100hp and are totally enclosed and rated for severe duty. Power supply wiring packages provide for 440V/60Hz US or 575V/60Hz Canadian service.

# STATIONARY MOUNT LOADER SPECIFICATIONS

MOTOR POWER SUPPLY		2180-ESM	2180-ERC	2210-ESM	2210-ERC	2410-ESM	2410-ERC	
Electric Motor:	60 HP @ 1800 RPM (45 kw)	STD	STD					
	75 HP @ 1800 RPM (56 kw)			STD	STD			
	100 HP @ 1800 RPM (74 kw)					STD	STD	
Electric Power Supply:	460 Volt: 60 Hz	STD	STD	STD	STD	STD	STD	
	575 Volt: 60 Hz	OPT	OPT	OPT	OPT	OPT	OPT	
Collector Ring:	Four (4) Ring High Voltage	STD		STD	STD	STD	STD	
	Auxiliary Low Voltage Collector				STD		STD	
Service Panel:	NEMA 12 Enclosure	STD	STD	STD	STD	STD	STD	
Pump Drive:	Direct Through Flex Coupling	STD	STD	STD	STD	STD	STD	
Magnetic Starting System:	Across-the-line	STD	STD	STD	STD	STD	STD	
Power Supply Mounting:	Turntable Mount	STD		STD	STD	STD	STD	
	Remote Skid Mount		STD		OPT		OPT	
<b>HYDRAULIC SYSTEM</b>								
Pumps:	Three (3) In-Line Gear Pumps	STD	STD	STD	STD	STD	STD	
Flows:	GPM @ 1800 RPM (L/Min)	34-33-17 (129-125-65)	34-33-22 (129-125-83)	44-33-22 (167-125-83)	44-33-22 (167-125-83)	45-54-16 (170-205-61)	45-54-16 (170-205-61)	
Pressures:	System PSI (bar)	2500 (172)	2500 (172)	2200 (152)	2200 (152)	2500 (172)	2500 (172)	
	Swing PSI (bar)	2700 (186)	2700 (186)	2400 (166)	2400 (166)	2500 (172)	2500 (172)	
Swing Motor:	Radial Piston Motor	STD	STD	STD	STD	STD	STD	
	Motor/Gearbox							
Swing Speed:	Revolutions Per Minute	7	7	8	8	7	7	
Rotation:	Continuous	STD		STD	STD	STD	STD	
	Non-Continuous Limited Rotation	OPT	STD	OPT	OPT	OPT	OPT	
Controls:	Mechanical Lever	STD						
	Mechanical Joystick	OPT						
	Pilot Joystick			STD		STD		
Filtration:	Electro Hydraulic (EHC)		STD		STD		STD	
	Single Element Return (3 mic)	STD	STD	STD	STD			
	Two dual Element return (3 mic)					STD	STD	
	Bypass Indicators	STD	STD	STD	STD	STD	STD	
Serviceability:	Oil Reservoir Heater 44OV	OPT	OPT	OPT	OPT	OPT	OPT	
	Diagnostic Nipples @ Pump	STD	STD	STD	STD	STD	STD	
Cylinders: (Bore X Rod)	Main	7 x 4 (178 mm/102 mm)	7 x 4 (178 mm/102 mm)	6 x 4 (152 mm/102 mm)	6 x 4 (152 mm/102 mm)	6 x 4 (152 mm/102 mm)	6 x 4 (152 mm/102 mm)	
	Stick	6 x 3 (152 mm / 76 mm)	6 x 3 (152 mm / 76 mm)	6 x 4 (152 mm/102 mm)	6 x 4 (152 mm/102 mm)	7 x 4 (178 mm/102 mm)	7 x 4 (178 mm/102 mm)	
	Live Heel			6 x 4 (152 mm/102 mm)	6 x 4 (152 mm/102 mm)	6 x 4 (152 mm/102 mm)	6 x 4 (152 mm/102 mm)	
<b>BOOMS</b>								
	25' Knuckleboom (7.6 m)	OPT	OPT	OPT	OPT			
	27' Knuckleboom (8.3 m)	STD	STD	STD	STD			
	29' Knuckleboom (8.9 m)	OPT						
	30' Knuckleboom (9.2 m)			OPT	OPT	OPT	OPT	
	32'6" Knuckleboom (10 m)					STD	STD	
	33'6" Live Heel Boom (10.2 m)					OPT	OPT	
	36' Knuckleboom (11 m)					OPT	OPT	
Grapple Mounting Knuckle:	9" Length (22.8 cm)	STD	STD	STD	STD	STD	STD	
	12" Length (30.9 cm)			OPT	OPT	OPT	OPT	
Heels:	Single "V" Heel	OPT	OPT	OPT	OPT	OPT	OPT	
	Double "W" Heel	OPT	OPT	OPT	OPT	OPT	OPT	
<b>STRUCTURAL</b>								
Cab:	34" x 51" (86 cm x 130 cm)	STD						
	38" x 56" (96 cm x 142 cm)			STD		STD		
	Right Side Mounted	STD		STD				
	Left Side Mounted					STD		
	Reverse Slope Windshield	STD		STD		STD		
	Tinted Safety Glass	STD		STD		STD		
	Lexan Skylight	STD		STD		STD		
	Sun Visor	STD		STD		STD		
	Adjustable Seat with Armrests	STD		STD		STD		
	Operator Protection Guard	STD		STD		STD		
	Pressurized Cab with Heater	STD		STD		STD		
Ductwork	Air Conditioner	OPT		OPT		OPT		
	Analog Gauges	STD		STD		STD		
	Electronic Gauges	STD		STD		STD		
	Horn	STD		STD		STD		
	Windshield Wiper/Washer	STD		STD		STD		
	Defroster Fan	STD		STD		STD		
	Lighter	STD		STD		STD		
	Dome Light	STD		STD		STD		
	Control Panel	STD		STD		STD		
	Circuit Breaker Panel	STD		STD		STD		
	Swing Bearing:	Diameter	38" OD (965 mm)	38" OD (965 mm)	43" OD (1092 mm)	43" OD (1092 mm)	54" OD (1372 mm)	54" OD (1372 mm)
		Gearing	Internal	Internal	External	External	External	External
Mounting:	Steel	STD	STD	STD	STD	STD	STD	
	Concrete	OPT	OPT	OPT	OPT	OPT	OPT	
	30" Subframe Riser			OPT	OPT	OPT	OPT	
<b>CAPACITIES</b>								
	Reservoir (Gallons)	71 (269 l)	71 (269 l)	42 (159 l)	42 (159 l)	125 (473 l)	125 (473 l)	
<b>UNIT WEIGHT</b>								
		4812.6 kg	3497.2 kg	7218.9 kg	6946.7 kg	8593.3 kg	8321.1 kg	
		10610 lbs	7710 lbs	15915 lbs	15315 lbs	18945 lbs	18345 lbs	

**PRENTICE 2180-ESM LOADER 27' BOOM**

	5' (1.5m)		10' (3m)		15' (4.6m)		20' (6.1m)		25' (7.6m)	
	lbs.	kg.	lbs.	kg.	lbs.	kg.	lbs.	kg.	lbs.	kg.
30' (9.1m)										
25' (7.6m)					8840	(4013)				
					7691	(3492)				
20' (6.1m)							7987	(3626)		
							6949	(3155)		
15' (4.6m)					9811	(4454)	8501	(3860)	4185	(1900)
					8536	(3875)	7396	(3358)	3641	(1653)
10' (3m)			14066	(6386)	12884	(5849)	10536	(4783)	7122	(3233)
			12237	(5556)	11209	(5089)	9166	(4161)	6196	(2813)
5' (1.5m)			22203	(10080)	15107	(6859)	10192	(5319)	7610	(3455)
			19317	(8770)	13143	(5967)	11715	(4627)	6621	(3006)
00.0			19741	(8963)	16016	(7271)	11866	(5387)	7078	(3213)
			17175	(7797)	13934	(6326)	10323	(4687)	6158	(2796)
-5' (-1.5m)	8075	(3666)	17909	(8131)	15064	(6839)	10802	(4904)		
	7025	(3189)	15581	(7074)	13106	(5950)	9398	(4267)		
-10' (-3m)			16262	(7383)	11549	(5243)				
			14148	(6423)	10048	(4562)				

**PRENTICE 2180-ESM LOADER 29' BOOM**

	5' (1.5m)		10' (3m)		15' (4.6m)		20' (6.1m)		25' (7.6m)	
	lbs.	kg.	lbs.	kg.	lbs.	kg.	lbs.	kg.	lbs.	kg.
30' (9.1m)					6431	(2920)				
					5595	(2540)				
25' (7.6m)							6509	(2955)		
							5663	(2571)		
20' (6.1m)							7998	(3631)	3822	(1735)
							6958	(3159)	3325	(1510)
15' (4.6m)					9379	(4258)	8570	(3891)	7292	(3311)
					8160	(3705)	7456	(3385)	6344	(2880)
10' (3m)			12320	(5593)	11851	(5380)	10586	(4806)	7482	(3397)
			10718	(4866)	10310	(4681)	9210	(4181)	6509	(2955)
5' (1.5m)			22121	(10043)	14940	(6783)	11513	(5227)	8787	(3989)
			19245	(8737)	12996	(5901)	10016	(4547)	7645	(3471)
00.0			15322	(6052)	13750	(6243)	10196	(4630)	7815	(3548)
			13330	(6052)	13750	(6243)	10196	(4630)	7815	(3548)
-5' (-1.5m)	6305	(2862)	14615	(6635)	14931	(6779)	10890	(4944)	7599	(3450)
	5485	(2490)	12715	(5773)	12990	(5897)	9474	(4301)	6611	(3001)
-10' (-3m)			14877	(6754)	11884	(5395)	8290	(3764)		
			12943	(5876)	10339	(4694)	7212	(3274)		

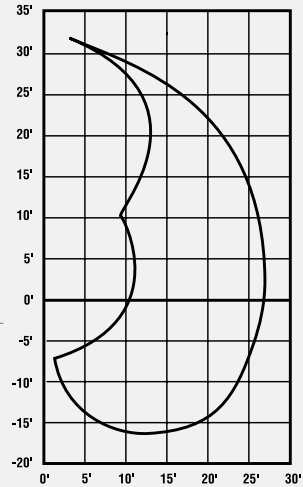
**NOTES:**

Do not attempt to lift or hold any load that is greater than the rated values over the end or side at their specified lift point and height. The weight of the grapple and all lifting accessories must be deducted from lift capacities shown.

1. All figures shown in these charts represent rated lift capacities.
2. Capacities shown in "Black" are 100% of hydraulic capability; capacities shown in "Red" are 87% of hydraulic capability.
3. The lift point is located at the boom/grapple pivot pin.
4. Manufacturer assumes no responsibility for the proper fit or structural integrity of the mounting pedestal and/or platform supplied by the customer.
5. Operator shall be fully acquainted with the Operator's Manual and all safety instructions furnished prior to operating the machine.
6. Lift capacities are in compliance with SAE J2417, "Lift Capacity Calculation Method-Knuckleboom Log Loaders and Certain Forestry Equipment".

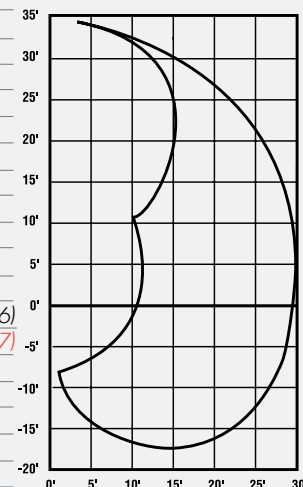
**PRENTICE 2210-ESM LOADER 27' BOOM**

	5' (1.5m)		10' (3m)		15' (4.6m)		20' (6.1m)		25' (7.6m)	
	lbs.	kg.	lbs.	kg.	lbs.	kg.	lbs.	kg.	lbs.	kg.
25' (7.6m)					11060	(5021)				
					9622	(4368)				
20' (6.1m)					11402	(5177)	9882	(4486)		
					9920	(4504)	8597	(3903)		
15' (4.6m)					11698	(5311)	10207	(4634)		
					10177	(4620)	8880	(4032)		
10' (3m)			8343	(3788)	12894	(5854)	10571	(4799)	8728	(3962)
			7258	(3295)	11218	(5093)	9197	(4175)	7593	(3447)
5' (1.5m)					15923	(7229)	13107	(5951)	8568	(3890)
					13853	(6289)	11403	(5177)	7454	(3384)
00.0					19229	(8730)	14249	(6469)	8946	(4061)
					16729	(6603)	12397	(5626)	7783	(3533)
-5' (-1.5m)			10494	(4764)	17747	(8057)	12800	(5811)	6697	(3040)
			9130	(4145)	15440	(7010)	11136	(5056)	5826	(2645)
-10' (-3m)	6718	(3050)	13824	(6276)	13552	(6152)	8993	(4083)		
	5845	(2654)	12027	(5460)	11790	(5353)	7824	(3552)		
-15' (-4.6m)			7697	(3494)	5648	(2564)				
			6696	(3040)	4914	(2231)				



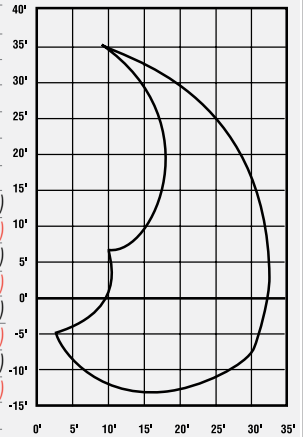
**PRENTICE 2210-ESM LOADER 30' BOOM**

	5' (1.5m)		10' (3m)		15' (4.6m)		20' (6.1m)		25' (7.6m)		30' (9.1m)	
	lbs.	kg.	lbs.	kg.	lbs.	kg.	lbs.	kg.	lbs.	kg.	lbs.	kg.
30' (9.1m)					9264	(4206)						
					8060	(3659)						
25' (7.6m)					10384	(4714)	8679	(3940)				
					9034	(4101)	7551	(3428)				
20' (6.1m)							9206	(4179)	6802	(3088)		
							8009	(3636)	5916	(2687)		
15' (4.6m)					9734	(4419)	9398	(4267)	8178	(3713)		
					8469	(3845)	8176	(3712)	7115	(3230)		
10' (3m)					10886	(4942)	9885	(4488)	8301	(3769)		
					9471	(4300)	8600	(3904)	7222	(3279)		
5' (1.5m)					14053	(6380)	12490	(5670)	9707	(4407)	4397	(1996)
					12226	(5551)	10866	(4933)	8445	(3834)	3825	(1737)
00.0					18608	(8448)	13874	(6299)	10733	(4873)		
					16189	(7350)	12070	(5480)	9338	(4239)		
-5' (-1.5m)			6369	(2892)	17583	(7983)	12983	(5894)	9515	(4320)		
			5541	(2516)	15297	(6945)	11295	(5128)	8278	(3758)		
-10' (-3m)	4492	(2039)	9983	(4532)	14401	(6538)	10517	(4775)	6470	(2937)		
	3908	(1774)	8685	(3943)	12529	(5688)	9150	(4154)	5629	(2556)		
-15' (-4.6m)			10885	(4942)	8768	(3981)	5547	(2518)				
			9470	(4299)	7628	(3463)	4826	(2191)				



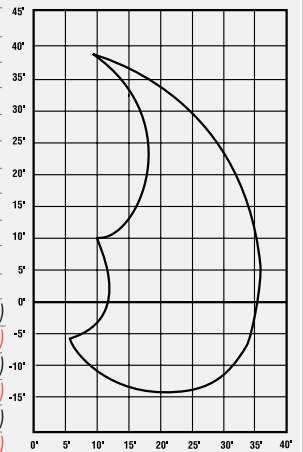
**PRENTICE 2410-ESM LOADER 32'-6" BOOM**

	5' (1.5m)		10' (3m)		15' (4.6m)		20' (6.1m)		25' (7.6m)		30' (9.1m)	
	lbs.	kg.	lbs.	kg.	lbs.	kg.	lbs.	kg.	lbs.	kg.	lbs.	kg.
30' (9.1m)												
25' (7.6m)							11274	(5118)				
							9808	(4453)				
20' (6.1m)							12885	(5850)	10082	(4577)		
							11210	(5089)	8771	(3982)		
15' (4.6m)							14145	(6422)	12247	(5560)	6601	(2997)
							12306	(5587)	10655	(4837)	5743	(2607)
10' (3m)					16647	(7558)	15422	(7002)	13470	(6115)	9016	(4093)
					14483	(6575)	13417	(6091)	11719	(5320)	7844	(3561)
5' (1.5m)					23634	(10730)	18870	(8567)	15698	(7127)	10441	(4740)
					20562	(9335)	16417	(7453)	13657	(6200)	9084	(4124)
00.0			41417	(18803)	26975	(12247)	20217	(9179)	16090	(7305)	10878	(4939)
			36033	(16359)	23468	(10654)	17589	(7985)	13998	(6355)	9464	(4297)
-5' (-1.5m)	8177	(3712)	21695	(9850)	27741	(12595)	20275	(9205)	15475	(7026)		
	7114	(3230)	18875	(8569)	24135	(10957)	17369	(8008)	13463	(6112)		
-10' (-3m)			20940	(9507)	25037	(11367)	18172	(8250)	12990	(5897)		
			18218	(8271)	21782	(9889)	15810	(7178)	11301	(5131)		

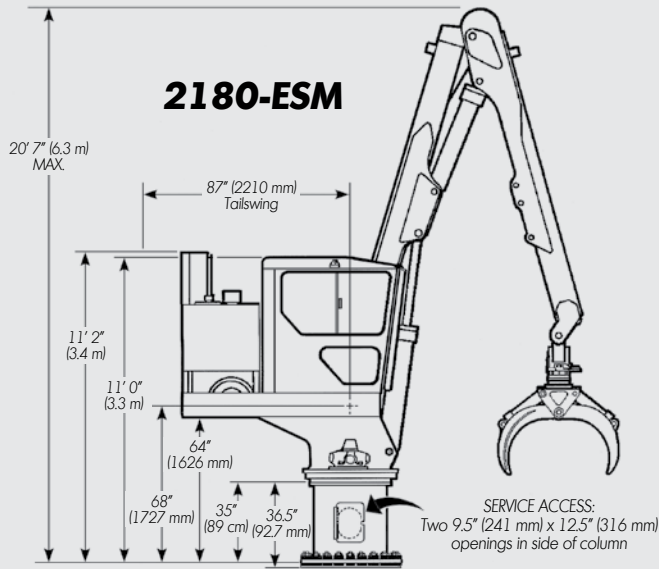


**PRENTICE 2410-ESM LOADER 36' BOOM**

	10' (3m)		15' (4.6m)		20' (6.1m)		25' (7.6m)		30' (9.1m)		35' (10.6m)	
	lbs.	kg.	lbs.	kg.	lbs.	kg.	lbs.	kg.	lbs.	kg.	lbs.	kg.
35' (10.6m)			11255	(5110)								
			9792	(4446)								
30' (9.1m)					10979	(4958)						
					9952	(4337)						
25' (7.6m)					12653	(5744)	10345	(4697)				
					11008	(4996)	9000	(4086)				
20' (6.1m)					13407	(6087)	12132	(5508)	8685	(3943)		
					11664	(5295)	10555	(4792)	7556	(3430)		
15' (4.6m)					14601	(6629)	13210	(5997)	11094	(5037)		
					12703	(5767)	11493	(5218)	9652	(4382)		
10' (3m)			19400	(8808)	17454	(7924)	14761	(6701)	11992	(5444)	6053	(2748)
			16878	(7663)	15185	(6894)	12842	(5830)	10433	(4737)	5266	(2391)
5' (1.5m)			25113	(11401)	19057	(8652)	15472	(7024)	12936	(5873)	7283	(3306)
			21848	(9919)	16580	(7527)	13461	(6111)	11254	(5109)	6336	(2877)
00.0			27233	(12364)	20036	(9096)	15795	(7171)	12784	(5804)	7048	(3200)
			23693	(10757)	17431	(7914)	13742	(6239)	11122	(5049)	6132	(2784)
-5' (-1.5m)	10740	(4876)	26775	(12156)	19763	(8973)	15321	(6956)	11939	(5420)		
	9344	(4242)	23294	(10575)	17194	(7806)	13329	(6051)	10387	(4716)		
-10' (-3m)	12783	(5803)	23598	(10713)	17799	(8081)	13591	(6170)	9810	(4454)		
	11121	(5049)	20530	(9321)	15485	(70309)	11824	(5368)	8535	(3875)		

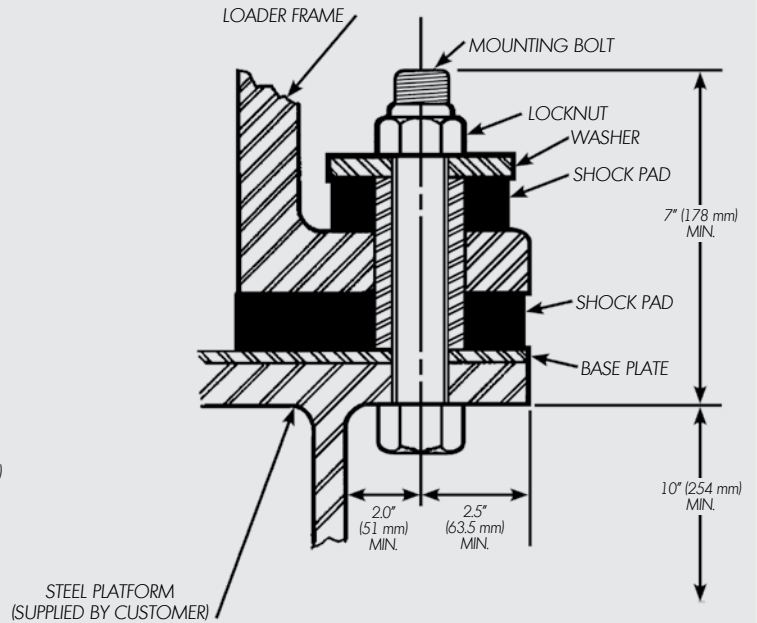


# STATIONARY MOUNT LOADER BASIC DIMENSIONS

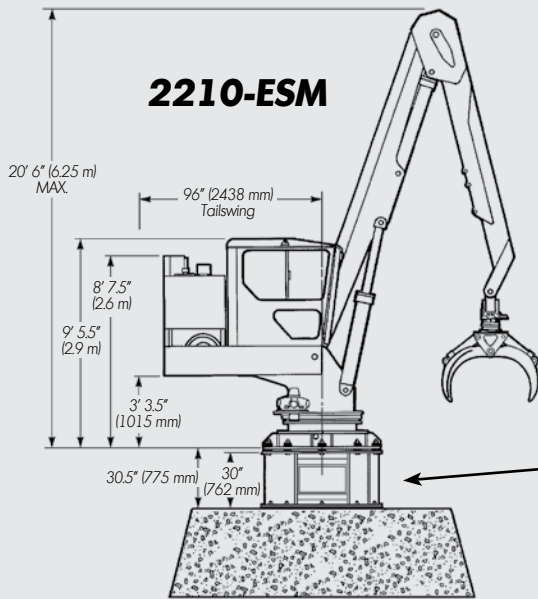


**NOTE:** Overall Height dimension to 25' (7.62 m) boom articulation point is taken with main boom cylinder fully extended. Add 12" (304 mm) to this dimension for 27' (8.3 m) knuckle boom.

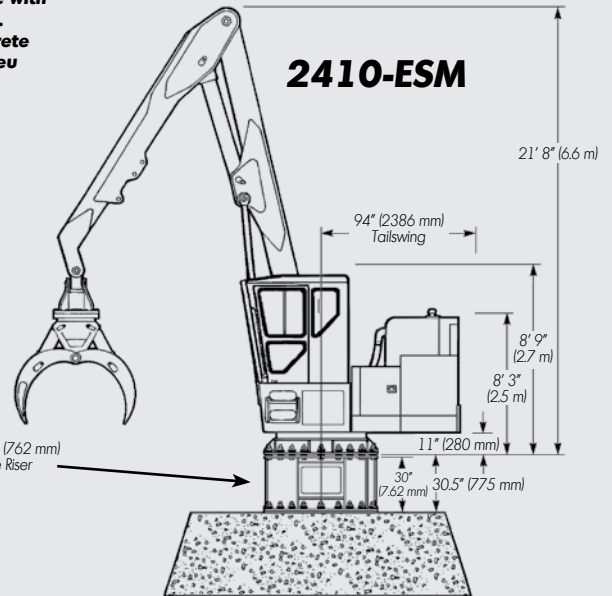
## RESILIENT PAD SYSTEM



- Operator's cab is not present on EHC models.
- EHC models available with Remote Power Packs.
- Installations on concrete include "J" Bolts in lieu of Mounting Bolt.



**NOTE:** Overall Height dimension to 27' (8.3 m) boom articulation point is taken with main boom cylinder fully extended. Add 30" (762 mm) to this dimension for 30' (9.1 m) knuckle boom.



**NOTE:** Overall Height dimension to 30' (9.1 m) boom articulation point is taken with main boom cylinder fully extended. Add 42" (1067 mm) to this dimension for 36' (11 m) knuckle boom.



[www.prenticeforestry.com](http://www.prenticeforestry.com)

Caterpillar Forest Products  
535 Mack Todd Road  
Zebulon, NC 27597  
919-269-7421

We reserve the right to change specifications and to improve our products without notice or obligation.

Form No. PRKBL5-0608 · Printed in U.S.A.